



SILVERCRETE™

P R E C A S T

Revised: December 2023

GUIDE TO INSTALLING UNDER FENCE PLINTHS



(08) 8280 9055 

SALES@SILVERCRETE.COM.AU 

WWW.SILVERCRETE.COM.AU 

11 HEASLIP ROAD, BURTON SA 5110 

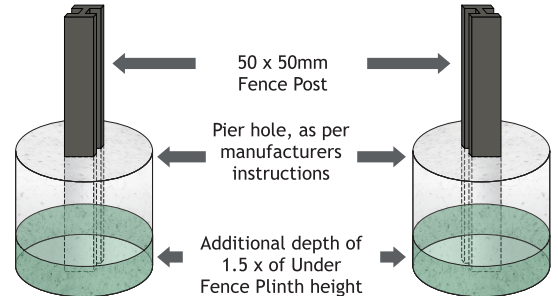


STEP ONE

Install fence post as per the manufactures instructions. Silvercrete recommends that you increase the post and depth of hole by 1.5 times the height of the under fence plinth.



To ensure the distance between the fence posts are correct, either a spacer at the correct length or the fence rail can be used.

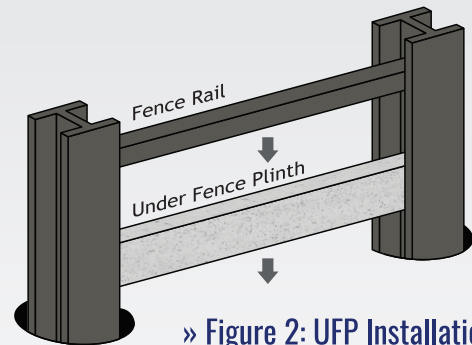


» Figure 1: Fence Post Installation



STEP TWO

Install the Under Fence Plinth between the fence posts followed by the fence rail.



» Figure 2: UFP Installation

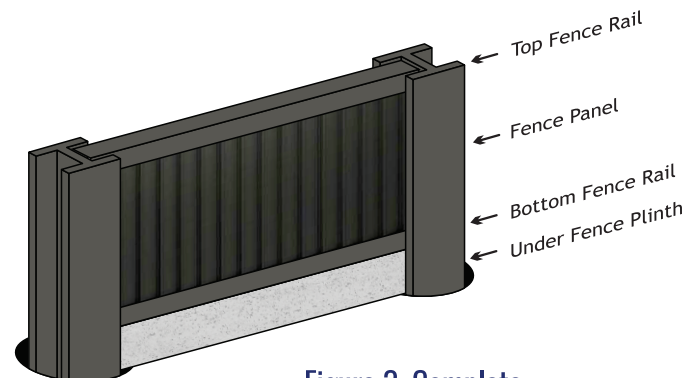


STEP THREE

Install fence panel in accordance with manufacturers instructions.



Install top fence rail in accordance with manufacturers instructions, if applicable.



» Figure 3: Complete